



Level control relay for emptying or filling function. Dual voltage. Modular version
LVM30
Emptying or filling

Product designation

Product type designation

Function

Auxiliary supply

Supply voltage Type		Dual voltage
Operating voltage range		0.85...1.1 Us
Rated frequency	Hz	50/60
Power consumption Max	VA	5.5
Power dissipation Max	W	2.8

Output characteristics

Number of connectable electrodes	Nr.	3
Type of electrode		Electrode and electrode holders: SN1 / SCM / CGL / PS31 / PS3S or similar
Electrode voltage		7.5 VAC
Sensitivity	kohm	2.5...50 adjustable

Time delay

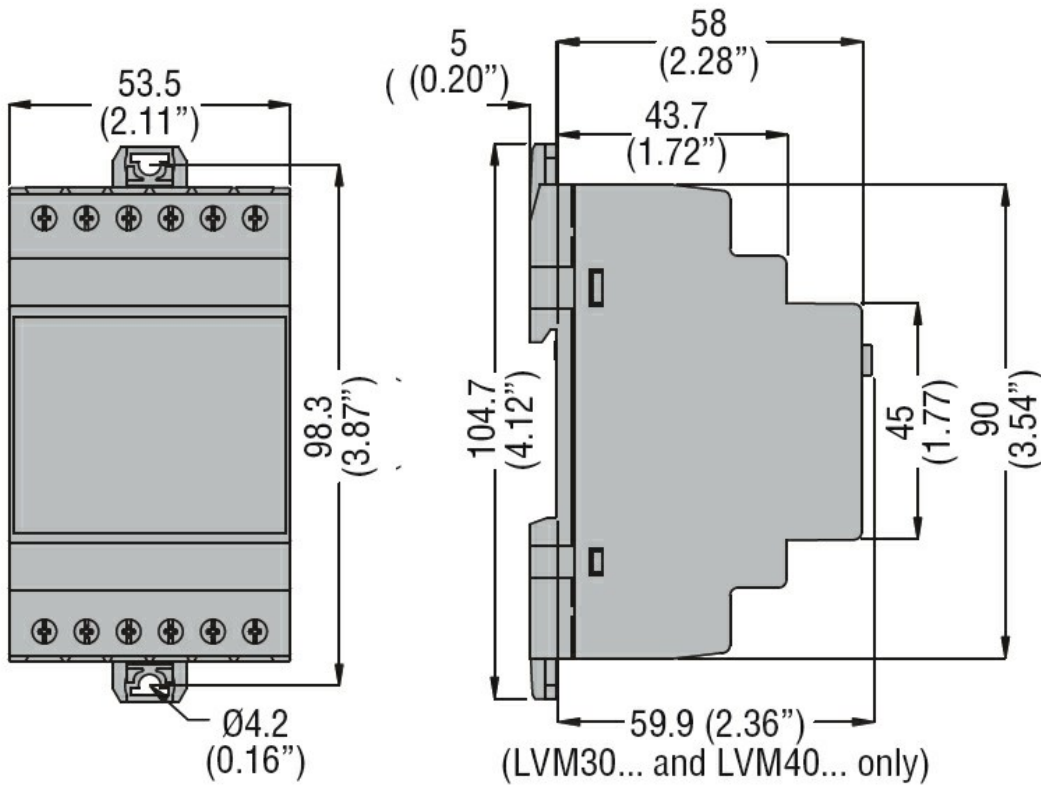
Tripping time	s	1
Resetting time	s	1
Probe tripping delay		OFF...10s

Relay outputs

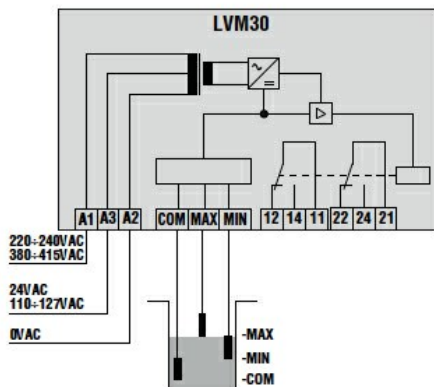
Number of relays	Nr.	2
Relay state		Normally de-energised, energises at tripping
Contact arrangement		2 changeover contacts C/O-SPDT each
Rated operational voltage AC (IEC)	VAC	250
Maximum switching voltage	VAC	400
IEC Conventional free air thermal current Ith	A	8
UL/CSA and IEC/EN 60947-5-1 designation		B300
Electrical life (with rated load)	cycles	105
Mechanical life	cycles	30x106

Indications

Indication				1 green LED for power on 1 red LED for relay state
Connections				
Terminals type				Screw
Tightening torque for terminals		max	Nm	0.8
		max	Ibin	7
Conductor cross section				
	AWG/Kcmil	min	AWG	24
		Max	AWG	12
	IEC	min	mm ²	0.2
		Max	mm ²	4
Insulations				
Rated insulation voltage Ui			V	415
Rated impulse withstand voltage Uimp			kV	6
Operating frequency withstand voltage			kV	4
Double insulation Supply / relay / electrode			VAC	=250
Ambient conditions				
Temperature				
	Operating temperature	min	°C	-20
		max	°C	+60
	Storage temperature	min	°C	-30
		max	°C	+80
Housing				
Execution				Modular DIN rail mounting
N° of modules				3
Material				Self-extinguishing polyamide
Mounting				35mm DIN rail (IEC/EN 60715) or by screws using extractable clips
IEC degree of protection				IP40 on front / IP20 on terminals
Dimensions (W x H x D)			mm	53.5 x 104.7 x 64.9
Weight			g	315
Dimensions				



Wiring diagrams



Certifications and compliance

Compliance

CSA C22.2 n° 14
IEC/EN 60255-5
IEC/EN 61000-6-2
IEC/EN 61000-6-3
UL508

Certificates

cULus
EAC

ETIM classification

ETIM 8.0

EC001447 - (Fill)
level monitoring
relay